

Fixed Dome Junction Box

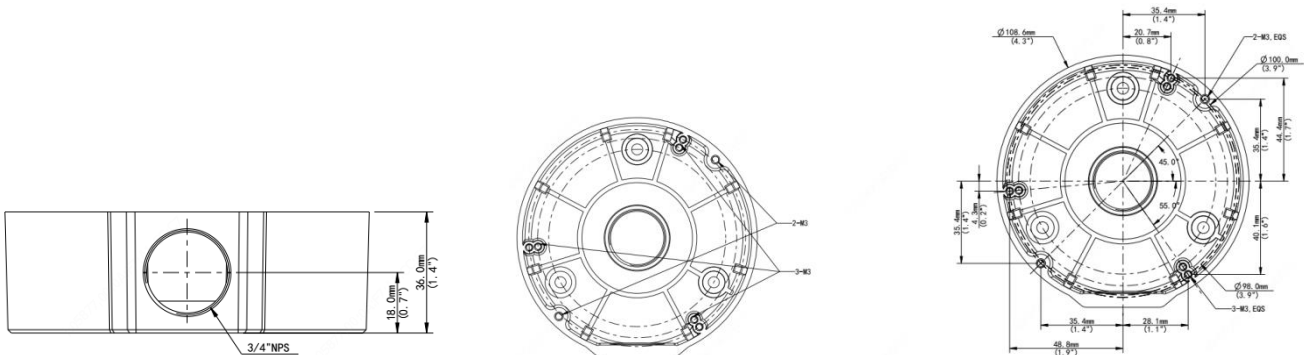
B-JB03-G-IN



Specifications

Bracket	B-JB03-G-IN
Application	Junction box for IPC-T1EX Series and IPC-T1PX Series fixed dome camera
Dimensions	φ106.6mm*36mm (4.20" x1.42")
Weight	0.2kg(0.44lb)
Material	Aluminum alloy

Dimensions



www.uniview.com/uniarch

©2021 Zhejiang Uniview Technologies Co.,Ltd. All rights reserved.

*Product specifications and availability are subject to change without notice.