

# Unear V20 Webcam

## Product Overview

Unear V20 is a 2K full HD USB camera. Equipped with 4MP HD image sensor, 90° wide-angle lens, and with the help of WDR technology, V20 provides the same clear video images in different light conditions. Featuring built-in dual mics and AI algorithms, functions such as noise suppression and area sound pickup are realized. The lens cover design protects your privacy and gives you more peace of mind during your work.



## Key Features

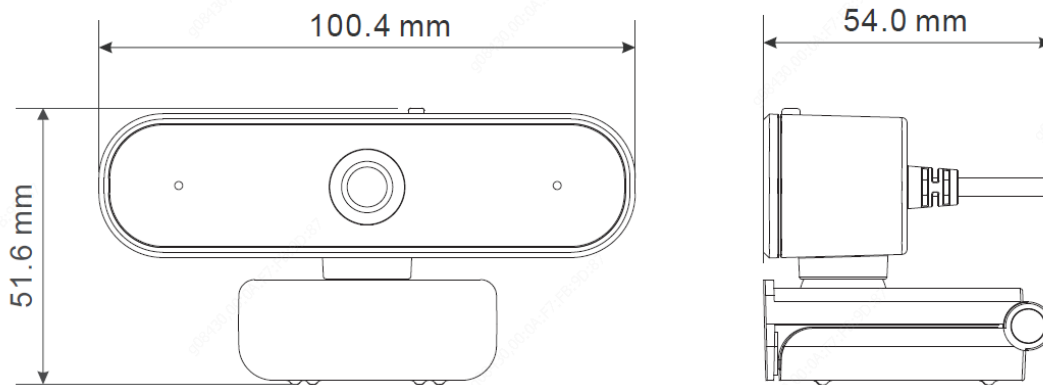
- 4MP, 1440P image quality
- Maximum frame rate 60fps
- 90° Wide Angle Lens
- True WDR Technology
- AI Noise-Suppression Makes Your Sound More Clear
- The Built-in Lens Cover to Protect Your Privacy
- USB Plug And Play

## Specifications

Video Specs	
Anti-flickering	Supported
Auto exposure	Supported
Auto White balance	Supported
3D noise-suppression	Supported
WDR	Supported
Max. resolution	1440P
Aspect ratio	16:9
UVC protocol supported	UVC 1.1/1.5

Coded format	MJPEG: max to 1440P@30fps or 1080P@60fps
<b>Camera Specs</b>	
Aperture	f/2.3
Sensor	1/2.9 in, CMOS, 4MP
Focusing mode	3.0mm fixed-focus
FOV(D)	90°
FOV(H)	82°
FOV(V)	52°
Non-Distortion Lens	Supported
<b>Audio Specs</b>	
Area sound pickup range	-45°~45°
Maximum background noise suppression	15dB
<b>Microphone Specs</b>	
Microphone type	2-Element Microphones Array
Sensitivity	-26dBFS 94dB SPL@1kHz
S/N	65dBA 94dB SPL@1kHz, A-weighted
Effective pickup distance	3 Meters
<b>Configuration Requirements</b>	
PC Windows or Linux, Mac OS with USB Connection	Supported
<b>Input / Output</b>	
USB Power Supply	5V/500mA
USB port	USB2.0 Type-A
USB 2.0	Supported
<b>Installation</b>	
Clip on the screen/on the tripod/on the surface	Supported
<b>Appearance Color</b>	
Classic black	Supported
<b>Weight</b>	
Net Weight	130g
Gross Weight	180g
<b>Dimensions</b>	
Product dimensions	100mm(L)*55mm(W)*50mm(H)
Package dimensions	132mm(L)*60mm(W)*110mm(H)

## Dimensions

**Zhejiang Uniview Technologies Co., Ltd.**

Building No.10, Wanlun Science Park, Jiangling Road 88, Binjiang District, Hangzhou, Zhejiang, China (310051)

Email: [overseasbusiness@uniview.com](mailto:overseasbusiness@uniview.com); [globalsupport@uniview.com](mailto:globalsupport@uniview.com)

<http://www.uniview.com>

©2021 Zhejiang Uniview Technologies Co., Ltd. All rights reserved.

\*Product specifications and availability are subject to change without notice.